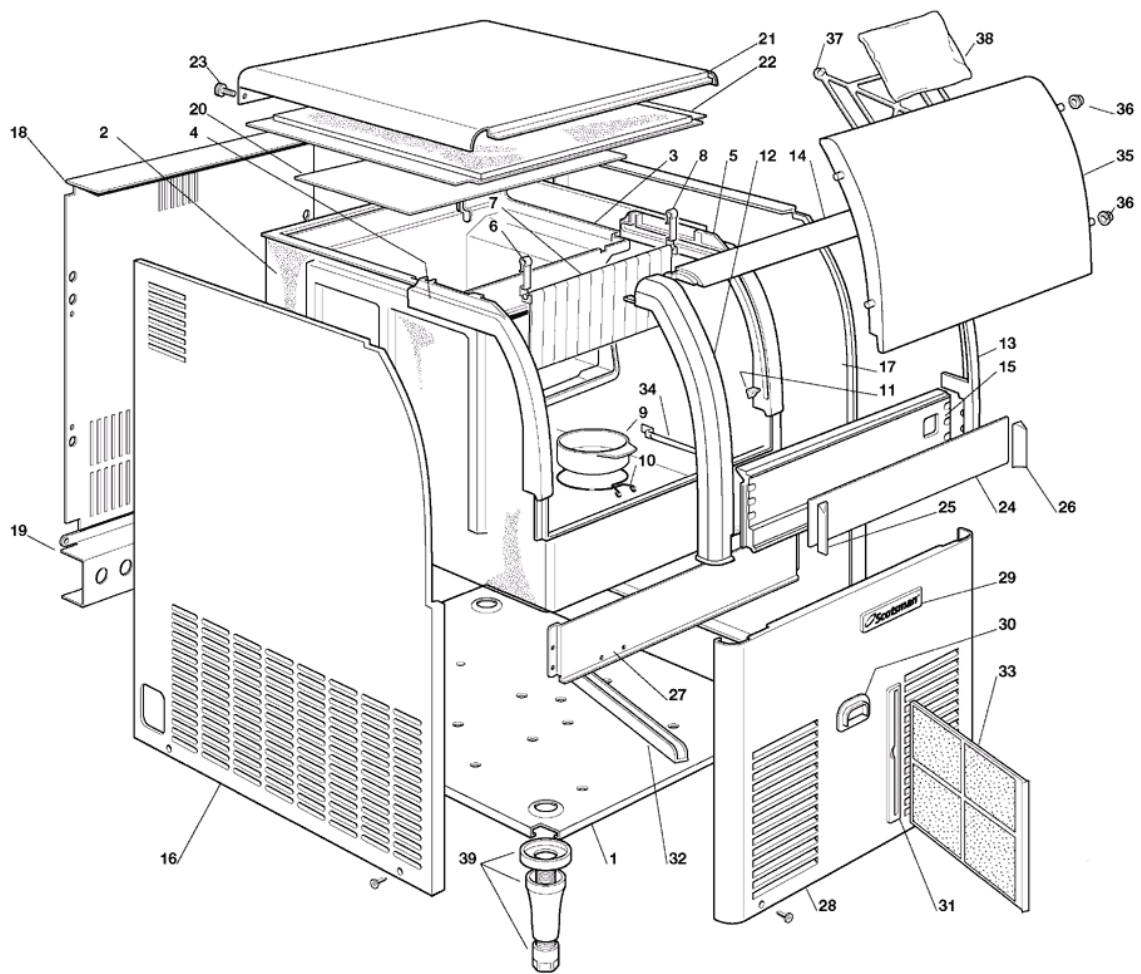
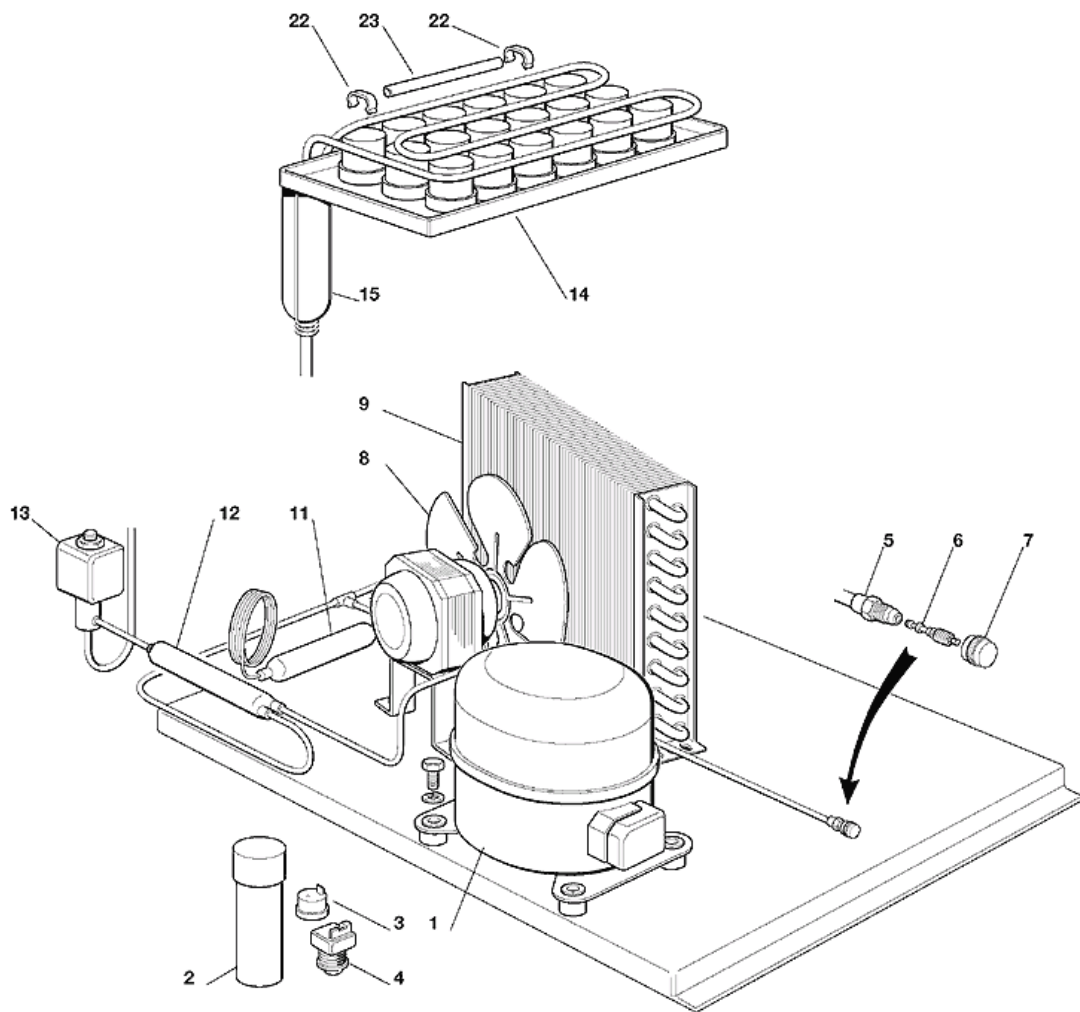


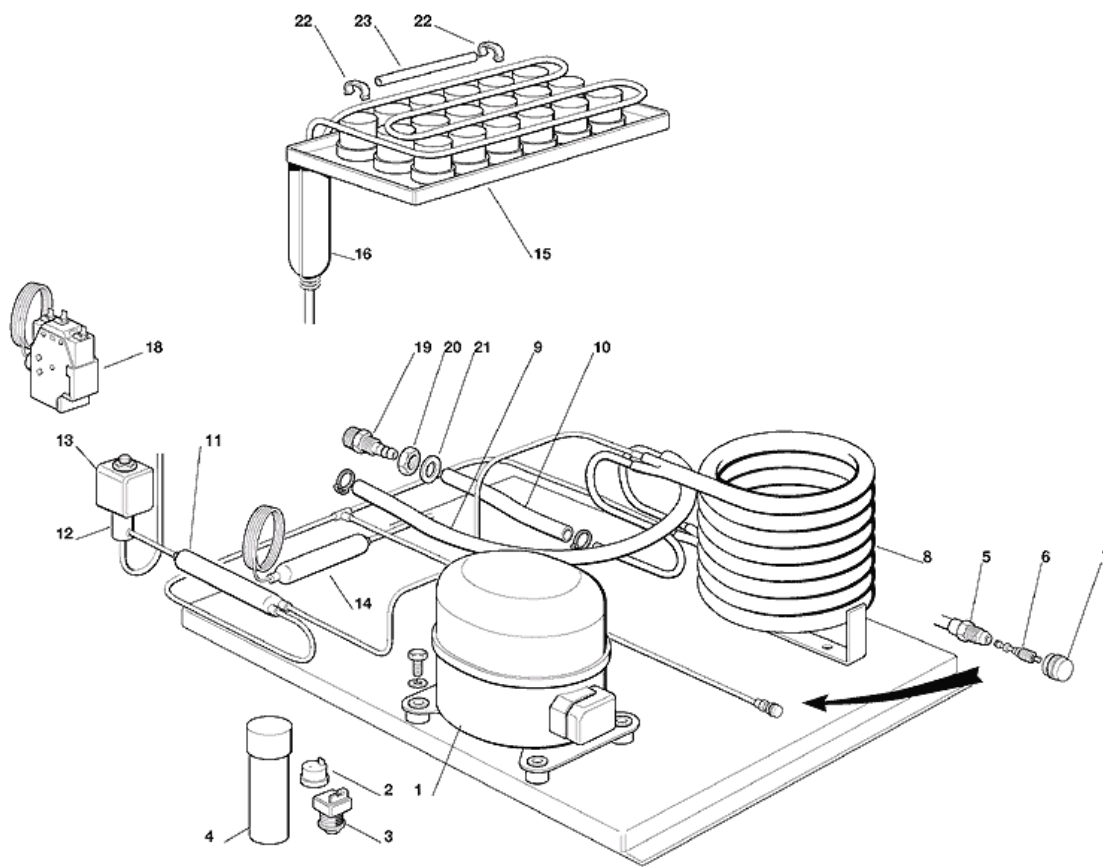
- 1 - UNIT PANELS
- 2 - REFRIGERANT SYSTEM AIR COOLED
- 3 - REFRIGERANT SYSTEM WATER COOLED
- 4 - WATER SYSTEM - M CUBES - UP TO S.N. 02303
- 5 - WATER SYSTEM - M CUBES - FROM S.N. 02304
- 6 - WATER SYSTEM - S & L CUBES - UP TO S.N. 02303
- 7 - WATER SYSTEM - S & L CUBES - FROM S.N. 02304
- 8 - CONTROL BOX AND P.C. BOARD - M & S CUBES - UP TO S.N. 01357
- 9 - CONTROL BOX AND P.C. BOARD ASSY - M & S CUBES - FROM S.N. 01358 TO S.N. 01967
- 10 - CONTROL BOX AND P.C. BOARD ASSY - M & S CUBES - FROM S.N. 01968
- 11 - CONTROL BOX AND P.C. BOARD - L CUBES - UP TO S.N. 01357
- 12 - CONTROL BOX AND P.C. BOARD ASSY - L CUBES - FROM S.N. 01358 TO S.N. 01967
- 13 - CONTROL BOX AND P.C. BOARD ASSY - L CUBES - FROM S.N. 01968



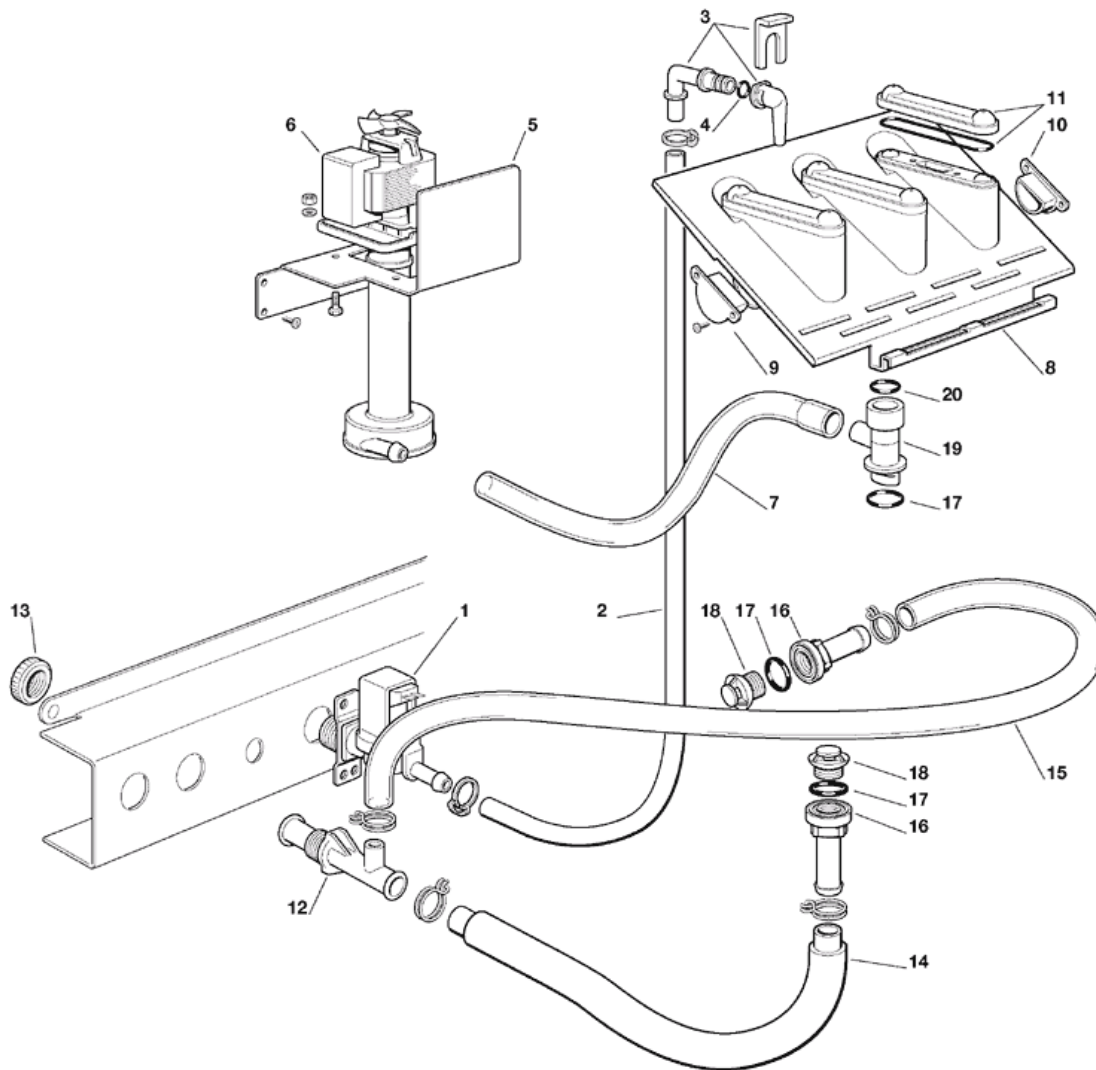
POSITION	CODE	DESCRIPTION
0001	791087 00	UNIT BASE
0002	782104 00R	STORAGE BIN ASSY
0003	660823 00	SUMP/EVAPORATOR HOUSING
0004	660784 01	LEFT SIDE TRACK
0005	660784 00	RIGHT SIDE TRACK
0006	660388 00	CURTAIN BRACKET (RIGHT)
0007	784457 06R	CURTAIN ASSY
0007	784457 11R	CURTAIN ASSY - SMALL CUBES
0008	660388 01	CURTAIN BRACKET (LEFT)
0009	660741 00	PLASTIC PLUG
0010	460047 00	SPRING
0011	660816 00	SHOCK ABSORBER
0012	660832 00	LEFT SIDE DOOR FRAME
0013	660832 01	RIGHT SIDE DOOR FRAME
0014	660785 00	UPPER DOOR FRAME
0015	660833 00	BOTTOM DOOR FRAME
0016	721935 00	LEFT SIDE PANEL
0017	721936 00	RIGHT SIDE PANEL
0018	702380 00	REAR PANEL
0019	702396 00	REAR BOTTOM PANEL
0020	660827 00	EVAPORATOR COVER
0021	721933 00	TOP PANEL
0022	650904 00	INSULATION
0022	660828 00	PLASTIC COVER
0023	650806 00	THUMB SCREW
0024	721938 00	S.S. FRONT LINER
0025	660837 01	CORNER PROTECTION LEFT
0026	660837 00	CORNER PROTECTION RIGHT
0027	702381 00	METAL STRIP
0028	721934 00	FRONT PANEL - AIR
0028	721934 01	FRONT PANEL - WATER
0029	650850 00	SCOTSMAN LOGO
0030	660829 00	FRONT SWITCH PLASTIC PROTECTION
0031	660804 01	AIR FILTER SEAT
0032	660817 00	SLIDE, AIR FILTER
0033	660805 01	AIR FILTER
0034	732017 00	BULB HOLDER
0035	660786 00	BIN DOOR
0036	660286 00	BUSHING
0037	660831 00	RUBBER BRACKET, SANITISING BAG
0038	650909 00	SANITISING BAG
0039	650670 00	LEG KIT



POSITION	CODE	DESCRIPTION
0001	670100 01	COMPRESSOR - 230/50/1 - CUBIGEL GP 14 TB
0001	670100 08	COMPRESSOR CUBIGEL - 230/60/1
0002	620167 29	START CAPACITOR 47MFD/330V
0003	620058 67	PROTECTOR - 230/50 - CUBIGEL GP 14 TB
0003	620058 98	PROTECTOR - 230/60/1
0004	620057 56	RELAY - 230/50 - CUBIGEL GP 14 TB
0004	620057 67	RELAY - 230/60/1
0005	650109 00	VALVE BODY
0006	670012 00	VALVE CORE
0007	650106 00	CAP
0008	620419 02	FAN MOTOR - 230/50-60
0008	620419 03	FAN MOTOR - 115/60
0008	620419 33	BLADE
0008	620419 63	BRACKET
0009	620455 00	CONDENSER
0011	630003 05	DRIER
0012	630137 01	MECHANICAL FILTER
0013	620306 27	HOT GAS VALVE BODY
0013	620306 48	COIL - 230/50-60
0014	784615 01	EVAPORATOR ASSY
0014	784622 00	EVAPORATOR ASSY - LARGE CUBES
0014	784645 00	EVAPORATOR ASSY - SMALL CUBES
0015	784632 00	SUCTION LINE ASSY
0022	650475 02	METAL CLIP
0022	660386 00	PLASTIC CLIP
0023	741114 00R	PLASTIC BULB HOLDER

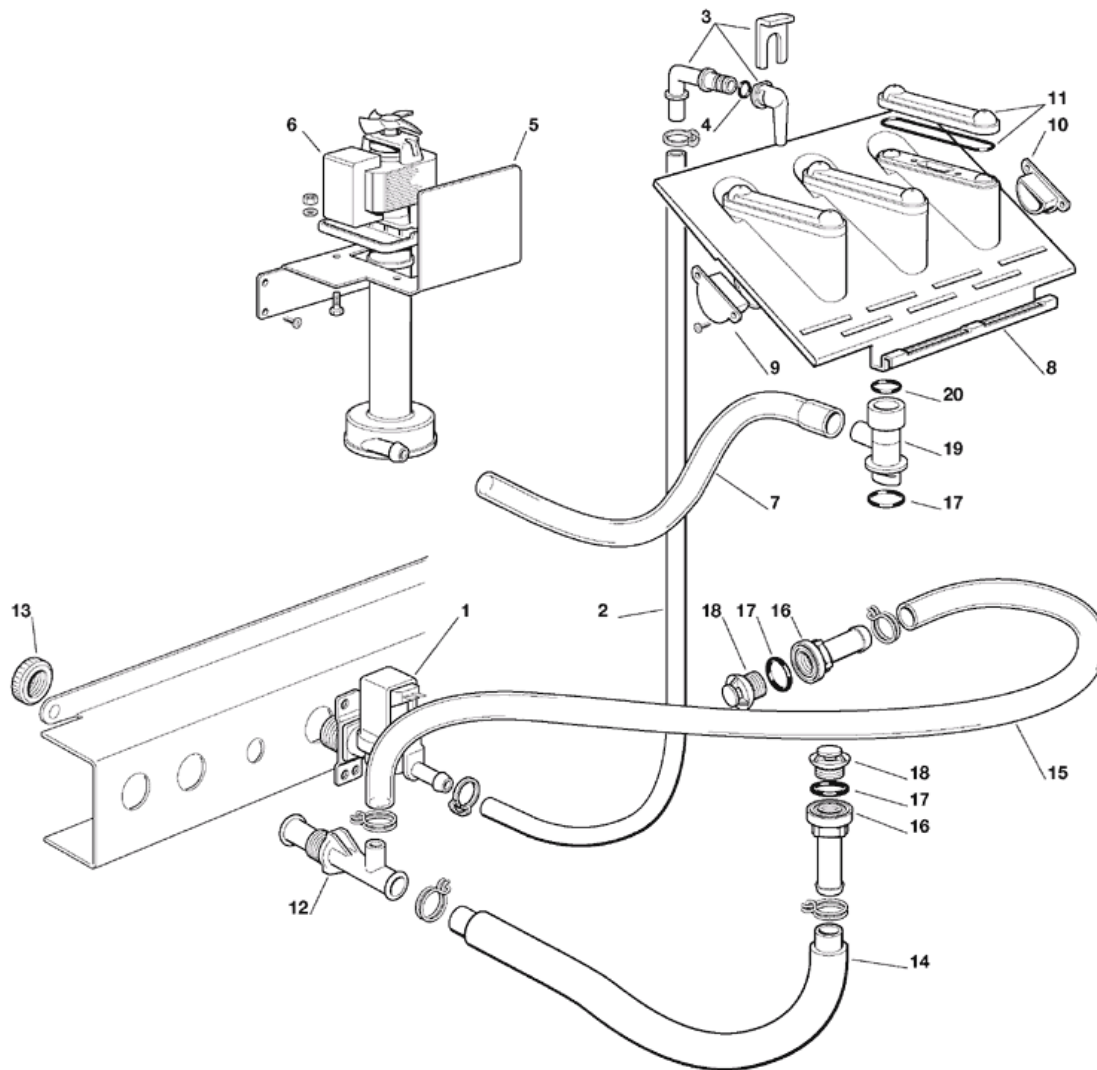


POSITION	CODE	DESCRIPTION
0001	670100 01	COMPRESSOR - 230/50/1 - CUBIGEL GP 14 TB
0001	670100 08	COMPRESSOR CUBIGEL - 230/60/1
0002	620058 67	PROTECTOR - 230/50 - CUBIGEL GP 14 TB
0002	620058 98	PROTECTOR - 230/60/1
0003	620057 56	RELAY - 230/50 - CUBIGEL GP 14 TB
0003	620057 67	RELAY - 230/60/1
0004	620167 29	START CAPACITOR 47MFD/330V
0005	650109 00	VALVE BODY
0006	670012 00	VALVE CORE
0007	650106 00	CAP
0008	620389 00	CONDENSER
0009	281900 01	TUBE 16X10
0010	281900 01	TUBE 16X10
0011	630137 01	MECHANICAL FILTER
0012	620306 27	HOT GAS VALVE BODY
0013	620306 48	COIL - 230/50-60
0014	630003 05	DRIER
0015	784615 01	EVAPORATOR ASSY
0015	784622 00	EVAPORATOR ASSY - LARGE CUBES
0015	784645 00	EVAPORATOR ASSY - SMALL CUBES
0016	784632 00	SUCTION LINE ASSY
0018	620075 00	PRESSOSTAT
0022	650475 02	METAL CLIP
0022	660386 00	PLASTIC CLIP
0023	741114 00R	PLASTIC BULB HOLDER



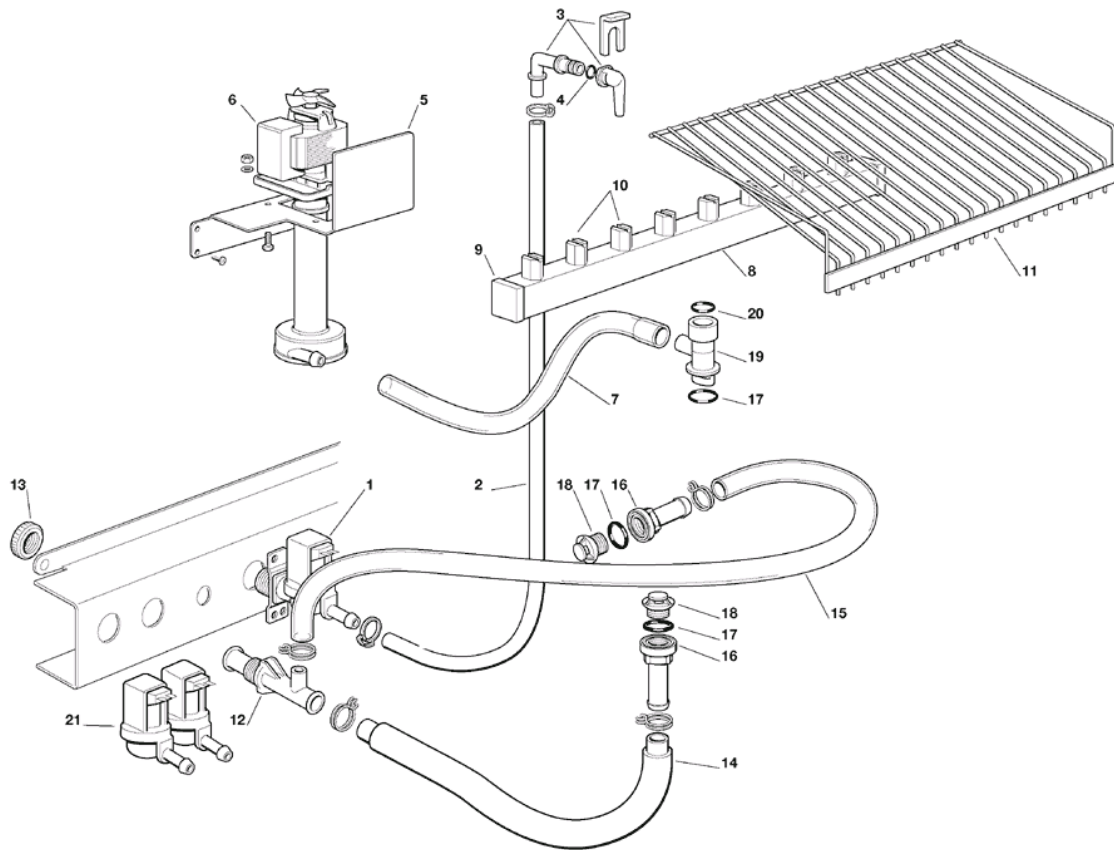
Scotsman® 4 - WATER SYSTEM - M CUBES - UP TO S.N. 02303

POSITION	CODE	DESCRIPTION
0001	650105 66	WATER INLET VALVE ASSY - 230V - AIR
0001	650105 70	WATER INLET VALVE ASSY - 230V - WATER
0002	281900 01	TUBE 16X10
0003	793172 00R	WATER INLET ELBOW ASSY
0004	640041 31	O RING
0005	721937 00	METAL BRACKET
0006	620433 00	WATER PUMP 230/50
0006	620433 01	WATER PUMP 230/60
0007	610150 03	TUBE
0008	793129 10	SPRAY SYSTEM ASSY
0009	660520 07	PLASTIC PLUG
0010	660520 06	PLATIC PLUG
0011	060529 01	SPRAY COVER KIT
0012	660224 00	TEE TUBE
0013	660535 00	PLASTIC NUT
0014	610148 10	TUBE
0015	610204 00	TUBE
0016	660219 02	BIN DRAIN
0017	640134 00	O RING 4093
0018	660211 01	DRAIN FILTER
0019	660777 00	SPRAY SYSTEM SEAT
0020	640041 32	O RING



POSITION	CODE	DESCRIPTION
0001	650105 66	WATER INLET VALVE ASSY - 230V - AIR
0001	650105 74	WATER INLET VALVE ASSY - 230V - WATER
0002	281900 01	TUBE 16X10
0003	793172 00R	WATER INLET ELBOW ASSY
0004	640041 31	O RING
0005	721937 00	METAL BRACKET
0006	620433 00	WATER PUMP 230/50
0006	620433 01	WATER PUMP 230/60
0007	610150 03	TUBE
0008	793129 10	SPRAY SYSTEM ASSY
0009	660520 07	PLASTIC PLUG
0010	660520 06	PLATIC PLUG
0011	060529 01	SPRAY COVER KIT
0012	660224 00	TEE TUBE
0013	660535 00	PLASTIC NUT
0014	610148 10	TUBE
0015	610204 00	TUBE
0016	660219 02	BIN DRAIN
0017	640134 00	O RING 4093
0018	660211 01	DRAIN FILTER
0019	660777 00	SPRAY SYSTEM SEAT
0020	640041 32	O RING

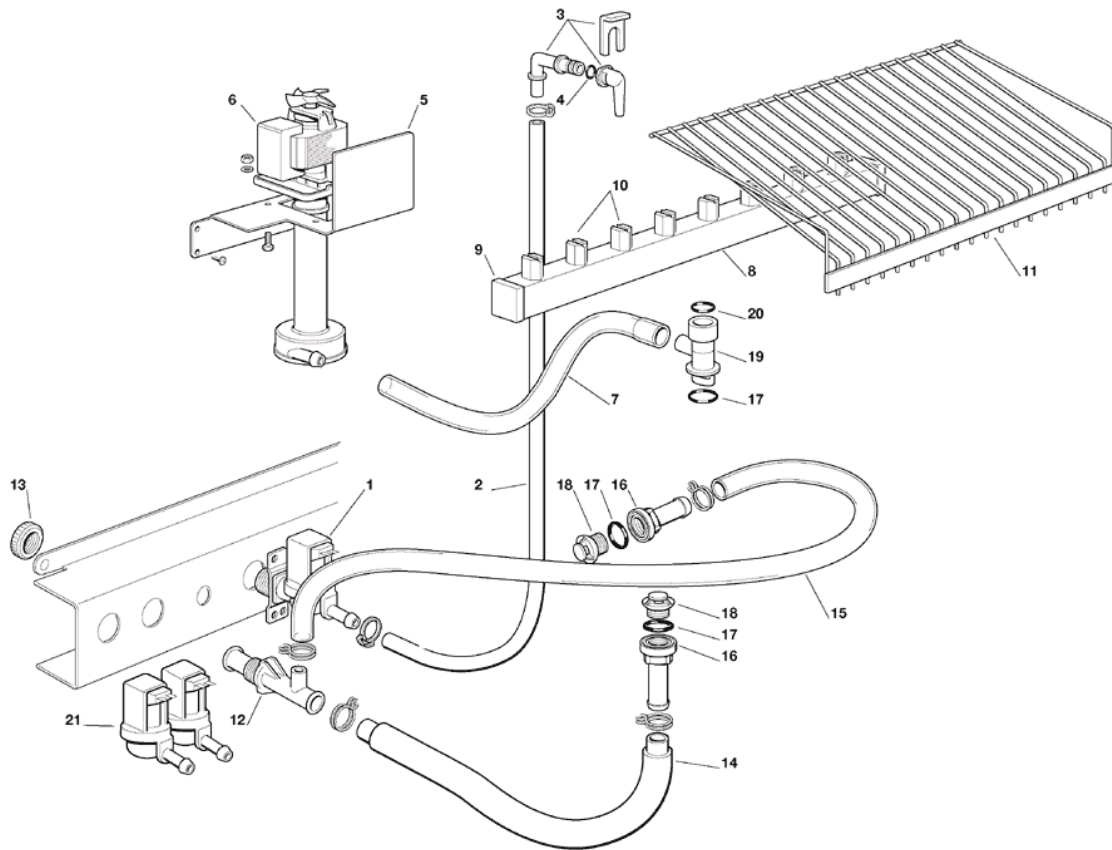
Scotsman® 6 - WATER SYSTEM - S & L CUBES - UP TO S.N. 02303



Scotsman® 6 - WATER SYSTEM - S & L CUBES - UP TO S.N. 02303

POSITION	CODE	DESCRIPTION
0001	650105 66	WATER INLET VALVE ASSY - 230V - AIR
0002	281900 01	TUBE 16X10
0003	793172 00R	WATER INLET ELBOW ASSY
0004	640041 31	O RING
0005	721937 00	METAL BRACKET
0006	620433 00	WATER PUMP 230/50
0006	620433 01	WATER PUMP 230/60
0007	610150 03	TUBE
0008	650665 32	SPRAY BAR - LARGE CUBES
0008	650951 01	SPRAY BAR - SMALL CUBES
0009	660557 00	SPRAY CUP
0010	660558 00	SPRAY NOZZLE
0011	650859 00	CUBE DEFLECTOR - LARGE CUBES
0011	650937 00	CUBE DEFLECTOR - SMALL CUBES
0012	660224 00	TEE TUBE
0013	660535 00	PLASTIC NUT
0014	610148 10	TUBE
0015	610204 00	TUBE
0016	660219 02	BIN DRAIN
0017	640134 00	O RING 4093
0018	660211 01	DRAIN FILTER
0019	660777 01	SPRAY SYSTEM SEAT
0020	640041 32	O RING
0021	650105 70	WATER INLET VALVE ASSY - 230V - WATER

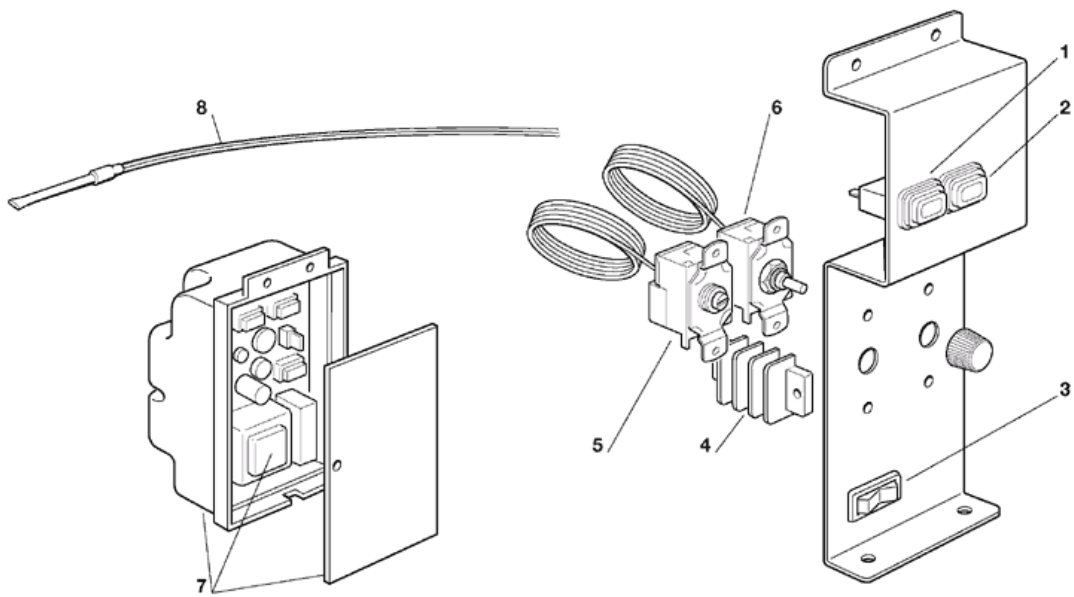
Scotsman® 7 - WATER SYSTEM - S & L CUBES - FROM S.N. 02304



Scotsman® 7 - WATER SYSTEM - S & L CUBES - FROM S.N. 02304

POSITION	CODE	DESCRIPTION
0001	650105 66	WATER INLET VALVE ASSY - 230V - AIR
0002	281900 01	TUBE 16X10
0003	793172 00R	WATER INLET ELBOW ASSY
0004	640041 31	O RING
0005	721937 00	METAL BRACKET
0006	620433 00	WATER PUMP 230/50
0006	620433 01	WATER PUMP 230/60
0007	610150 03	TUBE
0008	650665 32	SPRAY BAR - LARGE CUBES
0008	650951 01	SPRAY BAR - SMALL CUBES
0009	660557 00	SPRAY CUP
0010	660558 00	SPRAY NOZZLE
0011	650859 00	CUBE DEFLECTOR - LARGE CUBES
0011	650937 00	CUBE DEFLECTOR - SMALL CUBES
0012	660224 00	TEE TUBE
0013	660535 00	PLASTIC NUT
0014	610148 10	TUBE
0015	610204 00	TUBE
0016	660219 02	BIN DRAIN
0017	640134 00	O RING 4093
0018	660211 01	DRAIN FILTER
0019	660777 01	SPRAY SYSTEM SEAT
0020	640041 32	O RING
0021	650105 74	WATER INLET VALVE ASSY - 230V - WATER

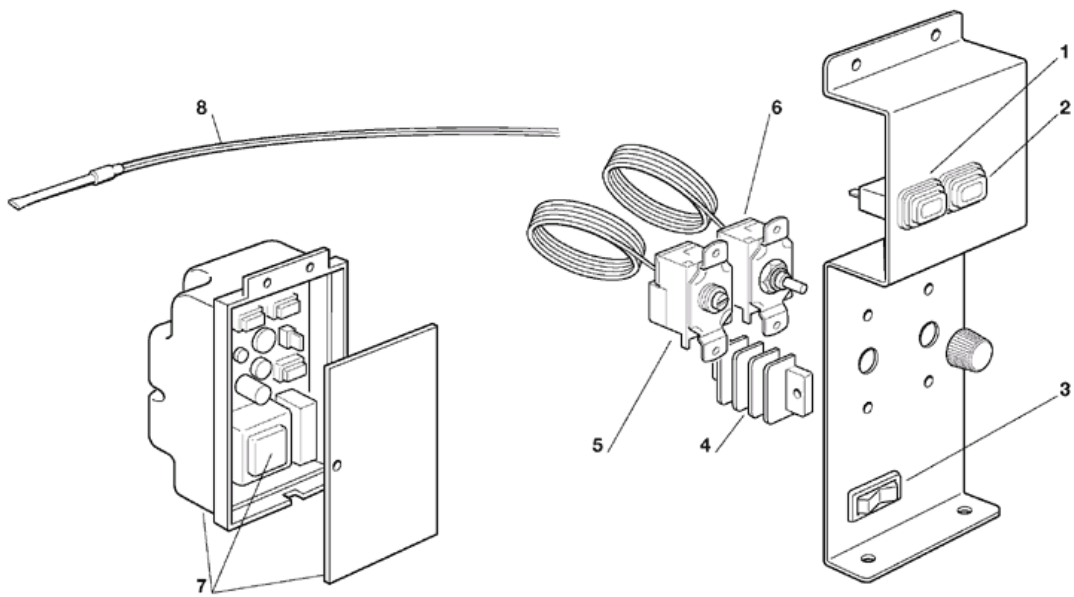
Scotsman CONTROL BOX AND P.C. BOARD - M & S CUBES - UP TO S.N. 01357



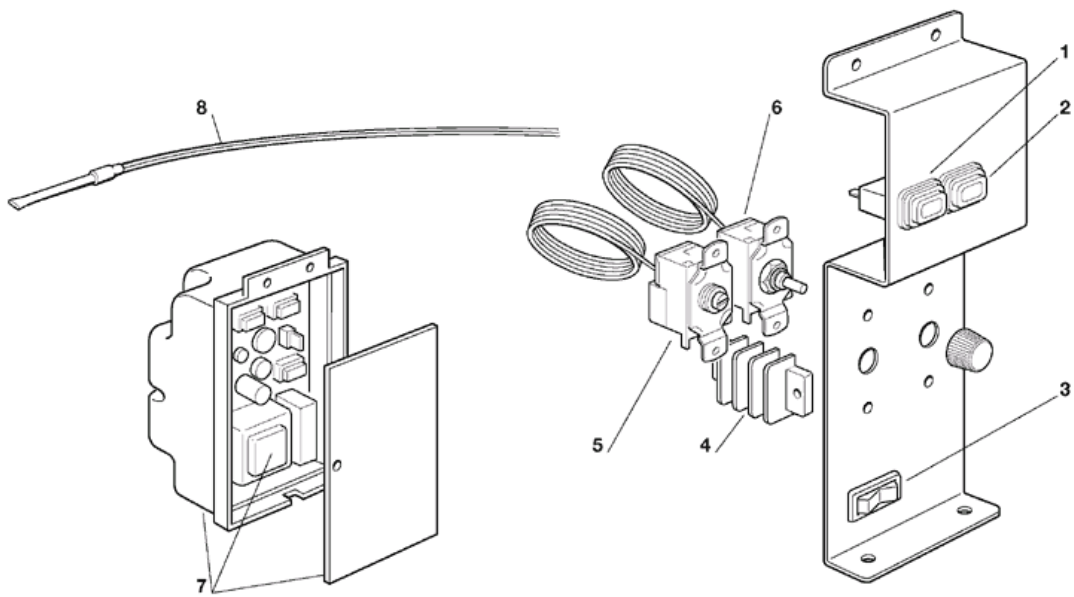


CONTROL BOX AND P.C. BOARD - M & S CUBES - UP TO S.N. 01357

POSITION	CODE	DESCRIPTION
0001	060666 00	SWITCHES ASSY
0002	060666 00	SWITCHES ASSY
0003	620442 01	SWITCH
0004	630114 01	TERMINAL BOARD
0005	630005 00	BIN THERMOSTAT
0006	620264 11	EVAP. THERMOSTAT
0007	785104 02R	PC BOARD ASSY - CLEANING REMIND - 230V
0008	620404 11	CONDENSER SENSOR

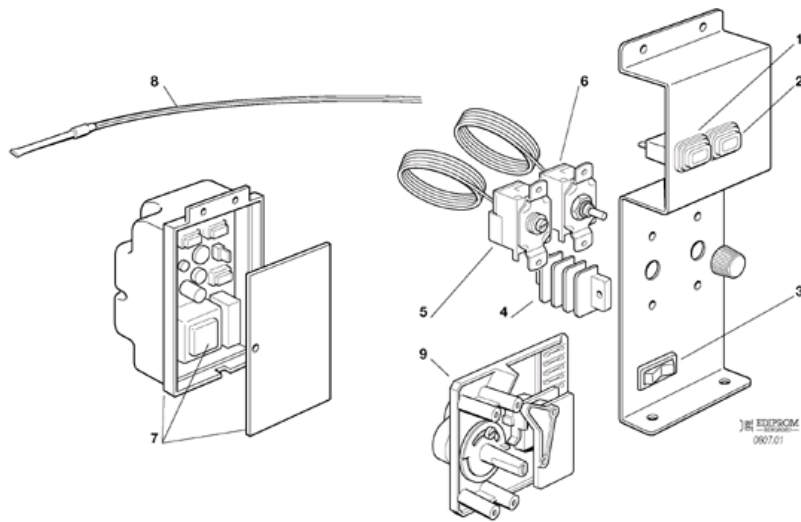


POSITION	CODE	DESCRIPTION
0001	620487 03	PUSH BUTTON SWITCH
0001	620487 04	PLASTIC PROTECTION
0001	620504 00	WARNING LIGHT
0002	620487 02	LIGHTED SWITCH
0002	620487 04	PLASTIC PROTECTION
0003	620442 01	SWITCH
0004	630114 01	TERMINAL BOARD
0005	630005 00	BIN THERMOSTAT
0006	620264 11	EVAP. THERMOSTAT
0007	785104 02R	PC BOARD ASSY - CLEANING REMIND - 230V
0008	620404 11	CONDENSER SENSOR



POSITION	CODE	DESCRIPTION
0001	620487 01	WARNING LIGHT - RESET BUTTON
0002	620487 00	MASTER LIGHTED SWITCH
0003	620442 01	SWITCH
0004	630114 01	TERMINAL BOARD
0005	630005 00	BIN THERMOSTAT
0006	620264 11	EVAP. THERMOSTAT
0007	785104 02R	PC BOARD ASSY - CLEANING REMIND - 230V
0008	620404 11	CONDENSER SENSOR

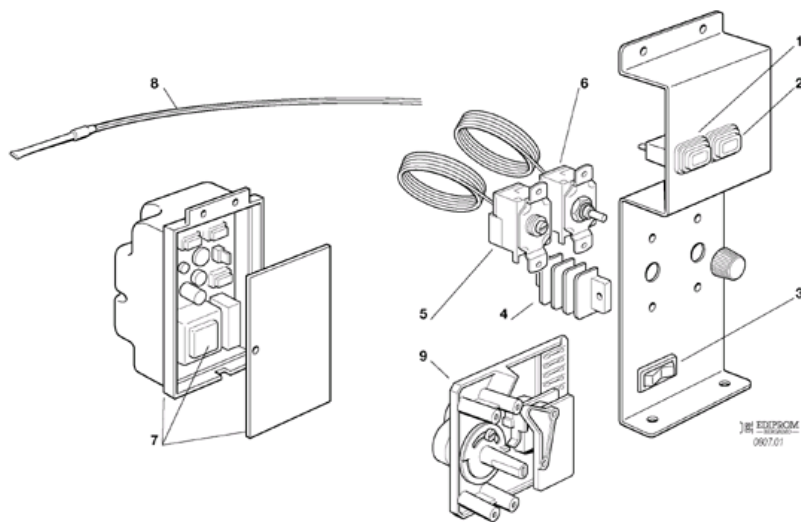
Scotsman CONTROL BOX AND P.C. BOARD - L CUBES - UP TO S.N. 01357



Scotsman[®] CONTROL BOX AND P.C. BOARD - L CUBES - UP TO S.N. 01357

POSITION	CODE	DESCRIPTION
0001	060666 00	SWITCHES ASSY
0002	060666 00	SWITCHES ASSY
0003	620442 01	SWITCH
0004	630114 01	TERMINAL BOARD
0005	630005 00	BIN THERMOSTAT
0006	620201 01	EVAPORATOR THERMOSTAT
0007	785104 02R	PC BOARD ASSY - CLEANING REMIND - 230V
0008	620404 11	CONDENSER SENSOR
0009	620441 00	TIMER ASSY

Scotsman™ BOX AND P.C. BOARD ASSY - L CUBES - FROM S.N. 01358 TO S.N. 01967

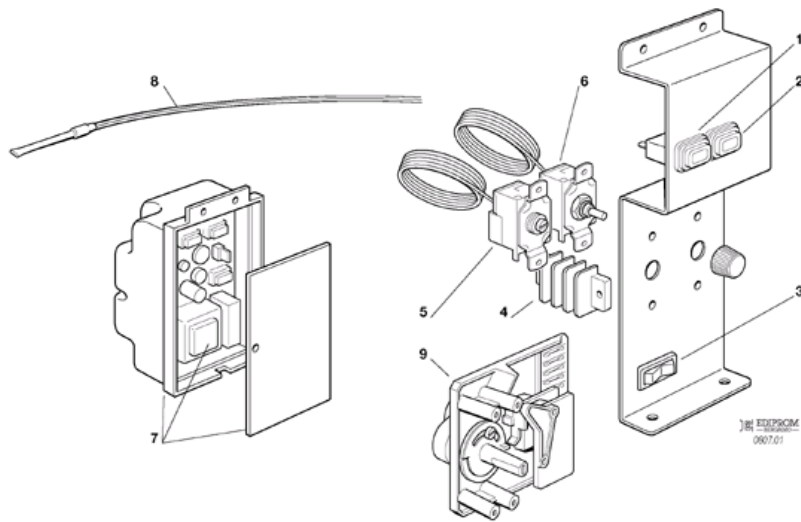




CONTROL BOX AND P.C. BOARD ASSY - L CUBES - FROM S.N. 01358 TO S.N. 01967

POSITION	CODE	DESCRIPTION
0001	620487 03	PUSH BUTTON SWITCH
0001	620487 04	PLASTIC PROTECTION
0001	620504 00	WARNING LIGHT
0002	620487 02	LIGHTED SWITCH
0002	620487 04	PLASTIC PROTECTION
0003	620442 01	SWITCH
0004	630114 01	TERMINAL BOARD
0005	630005 00	BIN THERMOSTAT
0006	620201 01	EVAPORATOR THERMOSTAT
0007	785104 02R	PC BOARD ASSY - CLEANING REMIND - 230V
0008	620404 11	CONDENSER SENSOR
0009	620441 00	TIMER ASSY

Scotsman CONTROL BOX AND P.C. BOARD ASSY - L CUBES - FROM S.N. 01968





CONTROL BOX AND P.C. BOARD ASSY - L CUBES - FROM S.N. 01968

POSITION	CODE	DESCRIPTION
0001	620487 01	WARNING LIGHT - RESET BUTTON
0002	620487 00	MASTER LIGHTED SWITCH
0003	620442 01	SWITCH
0004	630114 01	TERMINAL BOARD
0005	630005 00	BIN THERMOSTAT
0006	620201 01	EVAPORATOR THERMOSTAT
0007	785104 02R	PC BOARD ASSY - CLEANING REMIND - 230V
0008	620404 11	CONDENSER SENSOR
0009	620441 00	TIMER ASSY